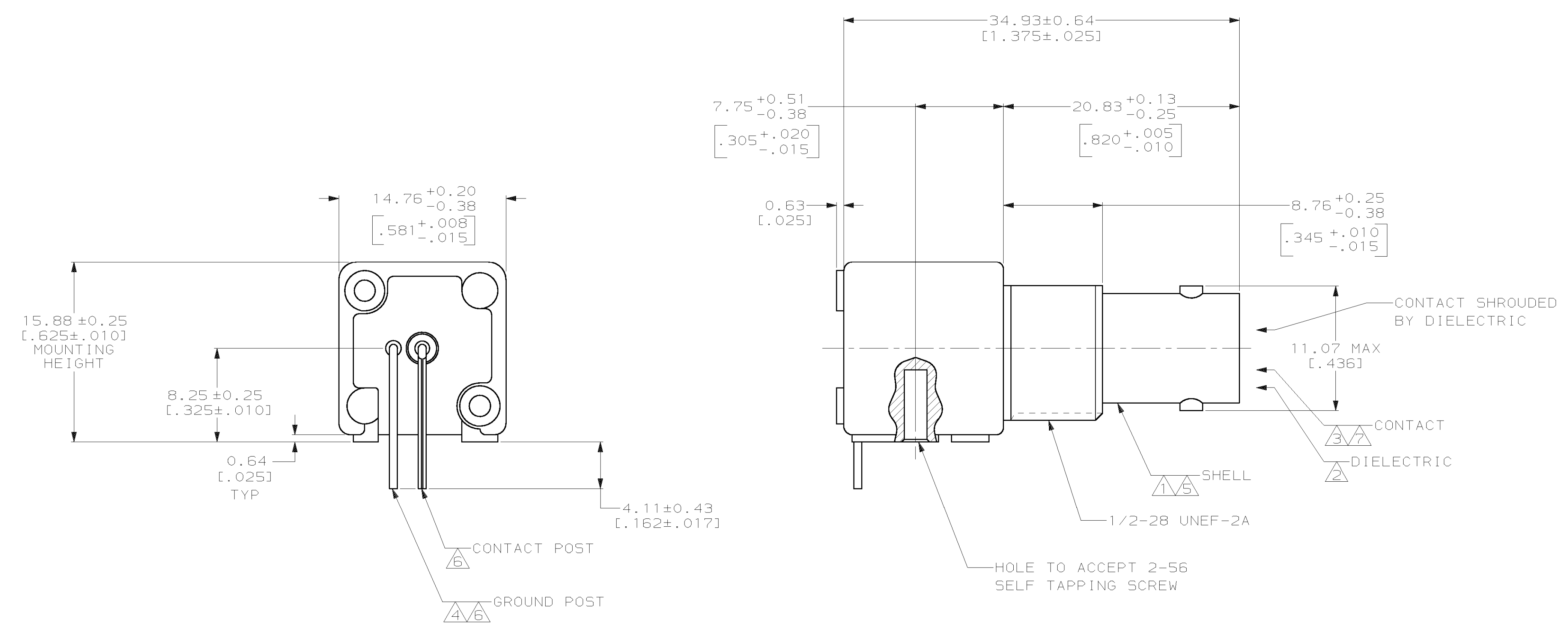
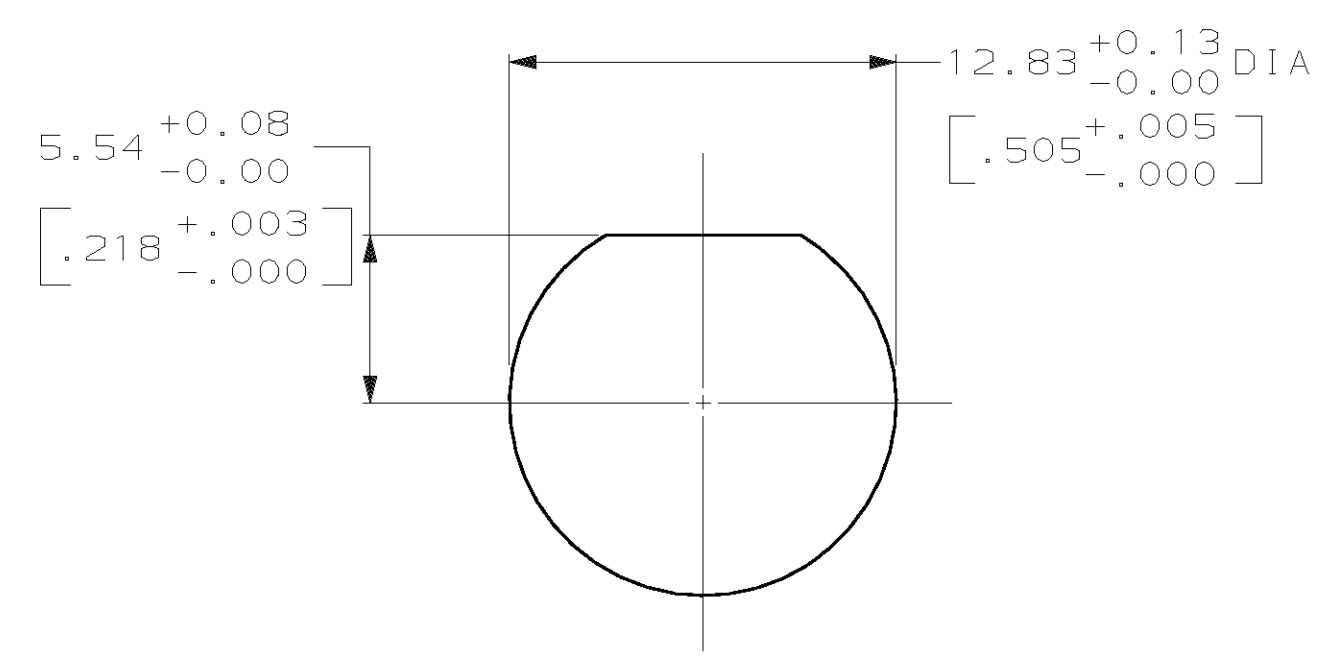


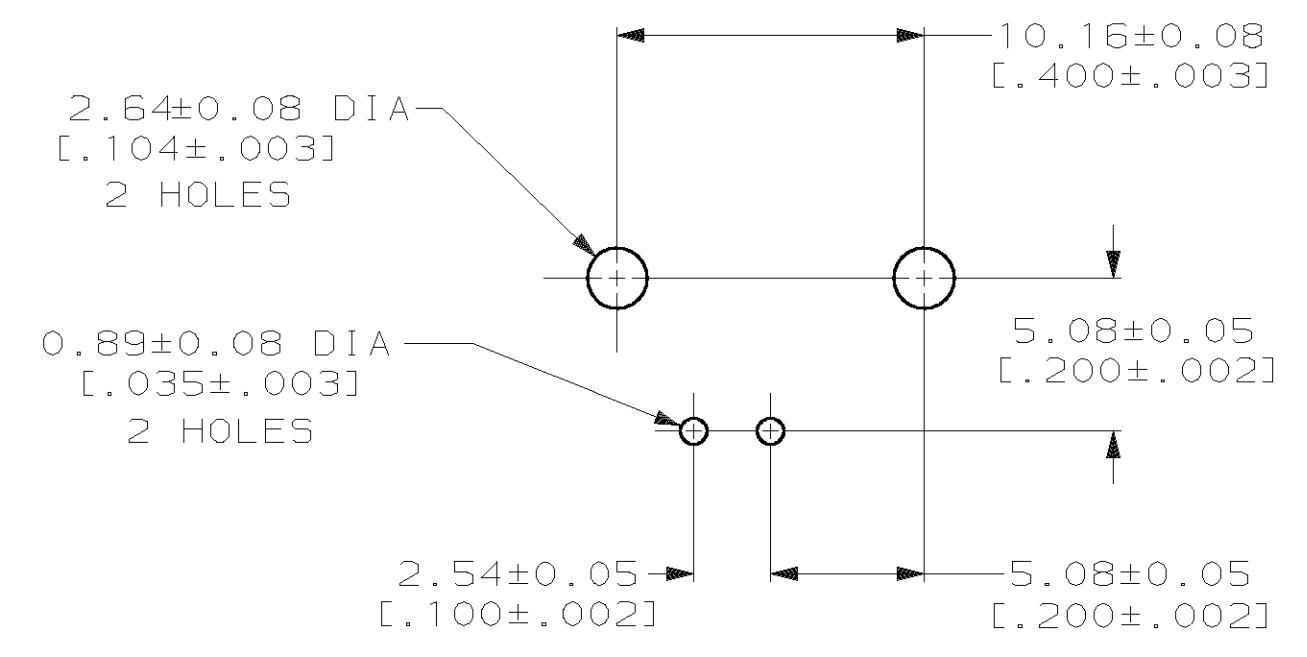
REVOLUTIONS		REVISIONS						
LOC	DIST	P	F	ZONE	LTR	DESCRIPTION	DATE	APPD
AJ	16				A	REV PER 0U20-0666-00	07DEC00	MO



- ① ZINC PER QQ-Z-363.
- ② POLYMETHYLPENTENE, GENERAL PURPOSE.
- ③ PHOSPHOR BRONZE PER QQ-B-750.
- ④ BRASS PER ASTM-B-453.
- ⑤ NICKEL PLATE PER QQ-N-290, 3.81 μm [.000150] MINIMUM THICK.
- ⑥ TIN-LEAD PLATE PER MIL-P-81728, 3.81 μm [.000150] MINIMUM THICK.
- ⑦ GOLD PLATE PER MIL-G-45204, 0.76 μm [.000030] MINIMUM THICK.
- 8. SEE INSTRUCTION SHEET 2769.



RECOMMENDED PANEL CUTOUT



PCB CONFIGURATION

414410-1
 PART NUMBER

DO NOT SCALE PRINT. UNLESS SPECIFIED DIMENSIONS IN mm [INCHES] TOLERANCES ON: 2 PLC DEC ± 0.20 [.008] 3 PLC DEC ± - ANGLES ± -		DR 10-26-92 J. LIPPERT		AMP Incorporated Harrisburg, PA 17105-3508	
SEE NOTES 1 THRU 4		CHK 10-27-92 A. GABANY			
FINISH SEE NOTES 5 THRU 7		APPD 10-27-92 J. LIPPERT		NAME JACK, RIGHT ANGLE, PCB 75 OHM, SERIES BNC	
MATERIAL		PRODUCT SPEC 108-12078		SIZE D 00779	DRAWING NO 414410
APPLICATION SPEC -		WEIGHT -		SCALE 4:1	SHEET 1 OF 1